

STALWART

ST 200 Turbine Tachometer

The Stalwart ST 200 Turbine Tachometer is a microprocessor-based, magnetic pickup powered tachometer designed specifically for turbine applications. It includes a dual-range hourmeter and multiple data loggers to record and time-stamp speed events. With a 5 digit backlit display, easy field programmability, a rugged, sealed enclosure for years of reliable service, and CSA certification for hazardous environments, it is the ideal tachometer for turbine operators.



Features

Turbine Specific Functions

- Records and time stamps speed events
 - Dual logging function for normal and overspeed logging with date and time stamp
- High frequency speed sampling for more accurate peak speed capture
- Dual range hourmeter with 100,000 hour capability
 - Separately counts idle speed and operating speed hours

Magnetic Pickup Powered

- Signal and power are supplied by a magnetic pickup
- Extremely low power consumption allows monitoring low idle RPM in most applications

Battery Backup

- Provides user interface when turbine is not running
- Long battery life – 7 to 10 years in most applications

Lighted Display

- High efficiency LEDs and sophisticated control algorithms allow lighting the display even when powered by magnetic pickup
- Display lighting when battery powered is also possible under certain conditions
- Fully user configurable lighted modes

Microprocessor-based with 5 digit display

- High accuracy, easy field programmability and sophisticated functionality

CSA certified for hazardous locations

Designed for rugged environments

- High shock and vibration resistance, highly resistant to electrical noise, fully gasketed and spray proof

Hazardous Locations Certifications

CSA Certified for Class I Division 2 Groups A, B, C, and D when powered from one of the following Stalwart magnetic pickups: SP104 and SP 105

Specifications

Power: Magnetic Pickup – For most applications, a Stalwart SP 104 will provide optimum performance.

Display: 5 Digit High Contrast Extended Temperature LCD with LED backlighting.

Resolution: 1 RPM (See Note 1)

Accuracy: +/- 0.2% or 1 RPM, whichever is greater. (See Note 1)

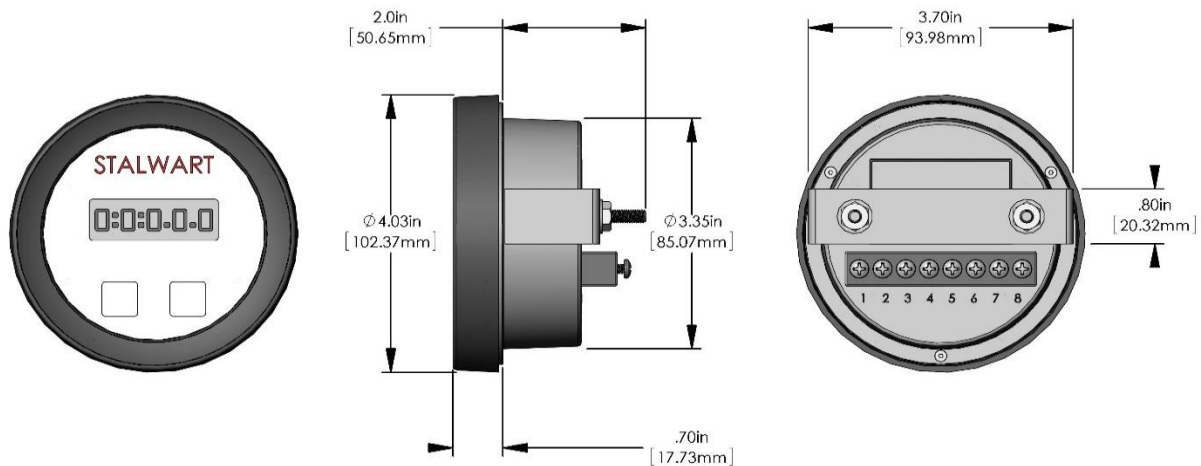
Hourmeter: 100,000 hour range, 1 hour resolution, pre-settable count.

Speed Logs: Two speed logs: Operating and Overspeed. Each log has 10 entries. Each entry records the maximum speed with date and time stamp.

Battery: Primary lithium battery, estimated 7-10 year life in normal use. Battery is not used for data retention.

Operating Temperature: -40 to +85 C (-40 to +185 F)

Note 1: Resolution and accuracy can vary depending on user configuration. See Operator Manual for details.



For more information, to obtain a quote, or to place an order, contact your Authorized Distributor