

STALWART

ST 100MP Tachometer

The Stalwart ST 100MP is a microprocessor-based, magnetic pickup powered tachometer. It features a full 5 digit display, so it can be used in any industrial application, including high speed machinery. The microprocessor design offers easy field programmability, with no need to turn switches or potentiometers. A rugged, sealed enclosure means years of reliable service.



Features



Microprocessor-based electronics for high accuracy, easy field programmability and optional improved display update time



Fully field programmable from keypad – No need to use signal generator, calculate gate times, or turn switches or potentiometers



5 Digit LCD display for use on any device, even high speed machinery



Signal and power are supplied by a magnetic pickup, and the low power consumption allows operation on low speed devices



Designed for rugged environments – highly shock and vibration resistant, highly resistant to electrical noise, fully gasketed and spray proof



CSA certified for hazardous locations

Hazardous Locations Certifications

CSA Certified for Class I Division 1 Groups A, B, C, and D when powered from one of the following Stalwart magnetic pickups: SP 104, SP 105, and SP 134

CSA Certified for Class I Division 1 Groups C and D when powered from one of the following Stalwart magnetic pickups: SP 101 and SP 102

CSA Certified for Class I Division 2 Groups A, B, C, and D when powered from one of the following Stalwart magnetic pickups: SP 101, SP 102, SP 104, SP 105, and SP 134

Specifications

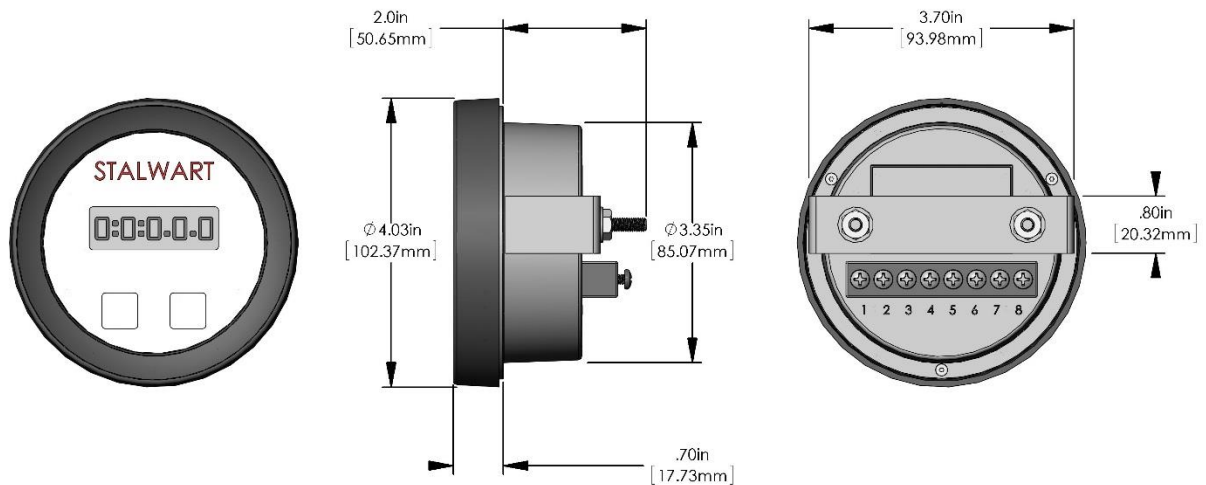
Power: Magnetic Pickup – For most applications, a Stalwart SP 104 pickup will provide optimum performance, but contact your distributor for specific application guidance.

Display: 5 Digit High Contrast Extended Temperature LCD

Resolution: 1 RPM

Accuracy: +/- 0.2% or 1 RPM, whichever is greater

Operating Temperature: -40 to +85 C (-40 to +185 F)



For more information, to obtain a quote, or to place an order, contact your Authorized Distributor