

STALWART

ST 100HT-L

Tachometer / Hourmeter / Trip

The Stalwart ST 100HT-L is a microprocessor-based tachometer, hourmeter, and trip. The unit can be magnetic pickup or DC powered. It features a full 5 digit backlit display and easy field programmability. The hourmeter can count up or down, and can be easily preset. The trip function can be set to overspeed, underspeed, or hours. A rugged, sealed enclosure means years of reliable service.



Features



Microprocessor-based electronics for high accuracy and easy field programmability



Power can be supplied by the magnetic pickup or from a DC supply



Fully field programmable from keypad – Tachometer, hourmeter, and trip parameters can be easily configured



Designed for rugged environments – highly shock and vibration resistant, highly resistant to electrical noise, fully gasketed and spray proof



5 Digit LCD display provides 100,000 hour capability, and LED backlighting for easy nighttime viewing



CSA certified for hazardous locations

Hazardous Locations Certifications

CSA Certified for Class I Division 1 Groups A, B, C, and D when powered from one of the following Stalwart magnetic pickups: SP 104, SP 105, and SP 134

CSA Certified for Class I Division 2 Groups A, B, C, and D when powered from 9 to 30 VDC and connected to one of the following Stalwart magnetic pickups: SP 101, SP 102, SP 104, SP 105, and SP 134

CSA Certified for Class I Division 2 Groups A, B, C, and D when powered from one of the following Stalwart magnetic pickups: SP 104, SP 105, and SP 134

Specifications

Power: Magnetic Pickup or 9-30 VDC

Display: 5 digit, high contrast, extended temperature LCD with LED backlight

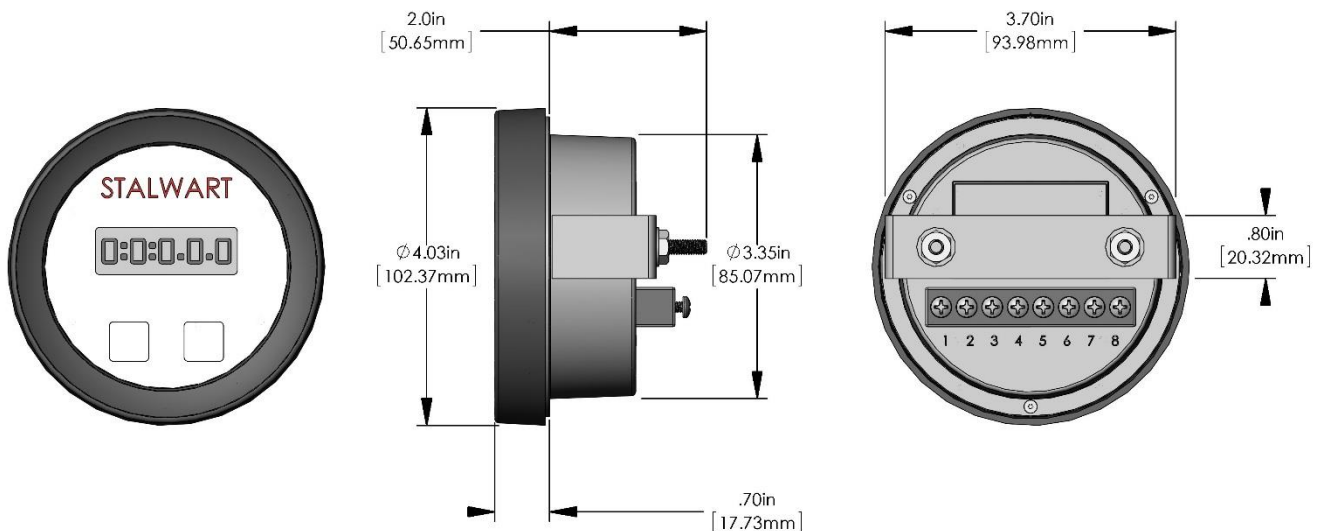
Hourmeter: 100,000 hour range, 1 hour resolution, pre-settable, up or down count

Trip: Overspeed, Underspeed, Hours, solid state N.O. output rated 0.15A 400VDC (see installation drawings for hazardous locations de-rating)

Resolution: 1 RPM

Accuracy: +/- 0.2% or 1 RPM, whichever is greater

Operating Temperature: -40 to +85 C (-40 to +185 F)



For more information, to obtain a quote, or to place an order, contact your Authorized Distributor