

STALWART

ST 100-L Tachometer

The Stalwart ST 100-L is a microprocessor-based tachometer which can be magnetic pickup or DC powered. It features a full 5 digit backlit display, with the backlight available even while powered from a magnetic pickup. The microprocessor design offers easy field programmability, with no need to turn switches or potentiometers. A rugged, sealed enclosure means years of reliable service.



Features



Microprocessor-based electronics for high accuracy and fast display update



Fully field programmable from keypad – No need to use signal generator, calculate gate times, or turn switches or potentiometers



5 Digit LCD display with LED backlighting for easy nighttime viewing even when pickup powered



Power can be supplied by the magnetic pickup or from a DC supply



Designed for rugged environments – highly shock and vibration resistant, highly resistant to electrical noise, fully gasketed and spray proof



CSA certified for hazardous locations

Hazardous Locations Certifications

CSA Certified for Class I Division 1 Groups A, B, C, and D when powered from one of the following Stalwart magnetic pickups: SP 104, SP 105, and SP 134

CSA Certified for Class I Division 2 Groups A, B, C, and D when powered from 9 to 30 VDC and connected to one of the following Stalwart magnetic pickups: SP 101, SP 102, SP 104, SP 105, and SP 134

CSA Certified for Class I Division 2 Groups A, B, C, and D when powered from one of the following Stalwart magnetic pickups: SP 101, SP 102, SP 104, SP 105, and SP 134

Specifications

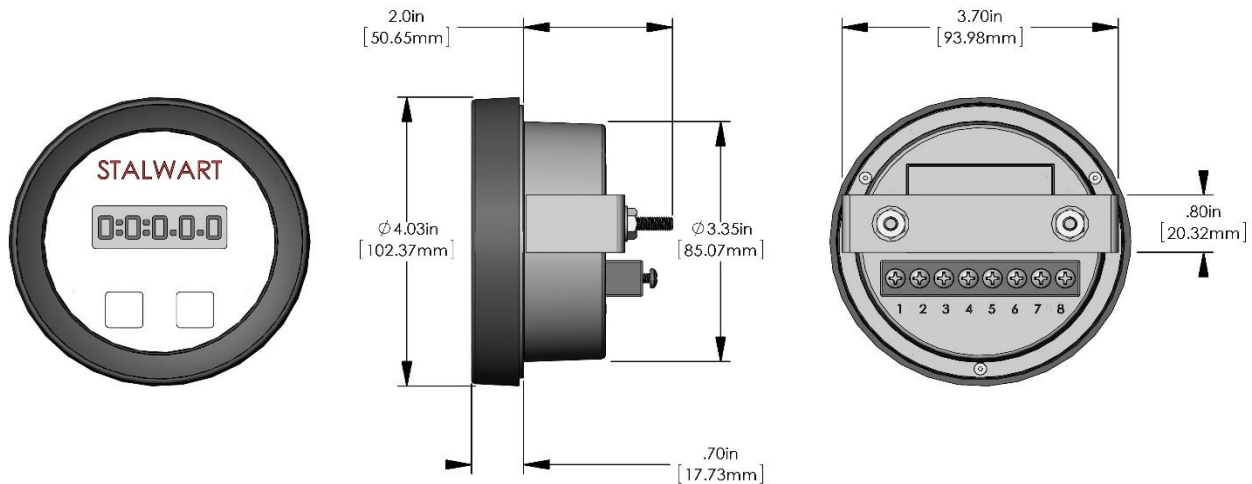
Power: Magnetic Pickup or 9-30 VDC

Display: 5 Digit High Contrast Extended Temperature LCD with LED backlight. Backlight intensity when powered by a magnetic pickup will vary depending on speed.

Resolution: 1 RPM

Accuracy: +/- 0.2% or 1 RPM, whichever is greater

Operating Temperature: -40 to +85 C (-40 to +185 F)



For more information, to obtain a quote, or to place an order, contact your Authorized Distributor